

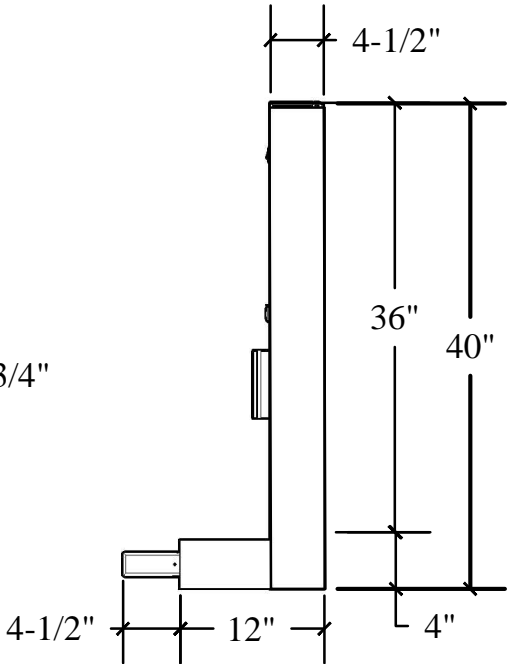
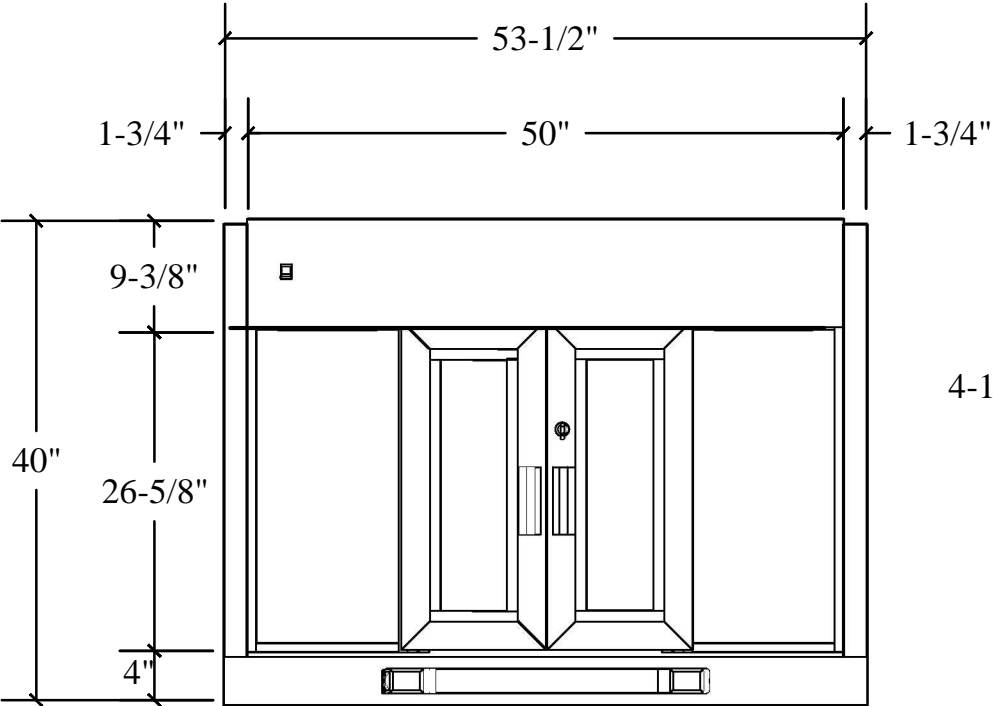
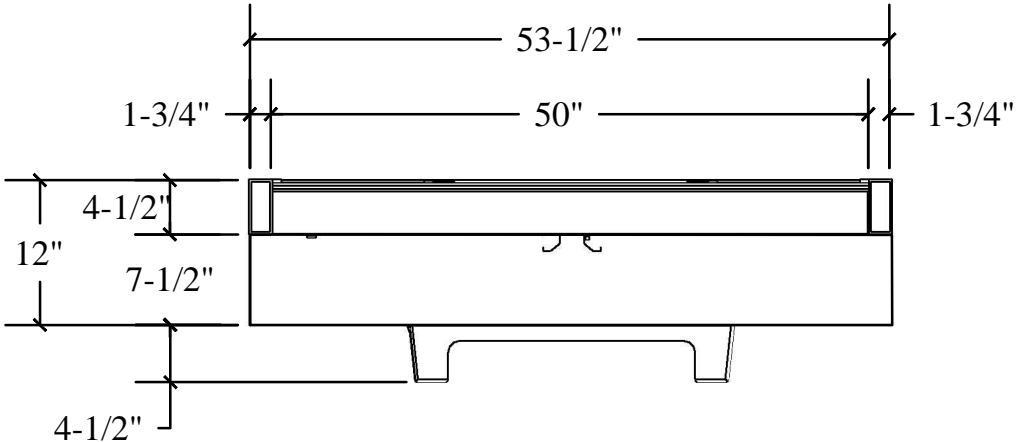
General Notes

Actual Dimension
53-1/2"(W) x 40"(H)

Service Opening
18-1/2"(W) x 26-5/8"(H)

Rough Opening
54"(W) x 40-1/2"(H)

QUIKSERV
11441 BRITTMOORE PARK DR.
HOUSTON, TX., 77041



NOTE: THIS DRAWING EMBODIES A CONFIDENTIAL PROPRIETY DESIGN ORIGINATED AND OWNED BY QUIKSERV CORP., AND IS SUBMITTED UNDER A CONFIDENTIAL RELATIONS ALL PATENT, MANUFACTURING, SALE RIGHTS REGARDING THE SAME ARE RESERVED EXCEPT TO THE EXTENT RIGHTS ARE EXPRESSLY GRANTED TO OTHERS. THE RECIPIENT AGREES BY ACCEPTING HIP. THESE DRAWINGS NOT TO SUPPLY OR DISCLOSE ANY INFORMATION REGARDING THEM TO ANY UNAUTHORIZED PERSON.

TITLE: BI-PARTING FULLY AUTOMATIC WINDOW				
Drawing Name FM-54E THREE SIDE VIEW				
DATE 04/04/2016	DRAWN BY RBV	SCALE 1:16	SHEET 1 of 4	SIZE A