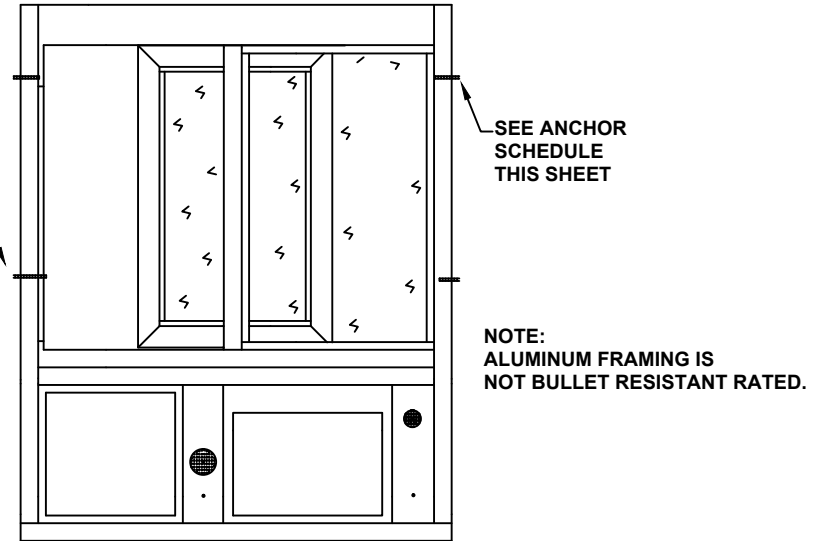
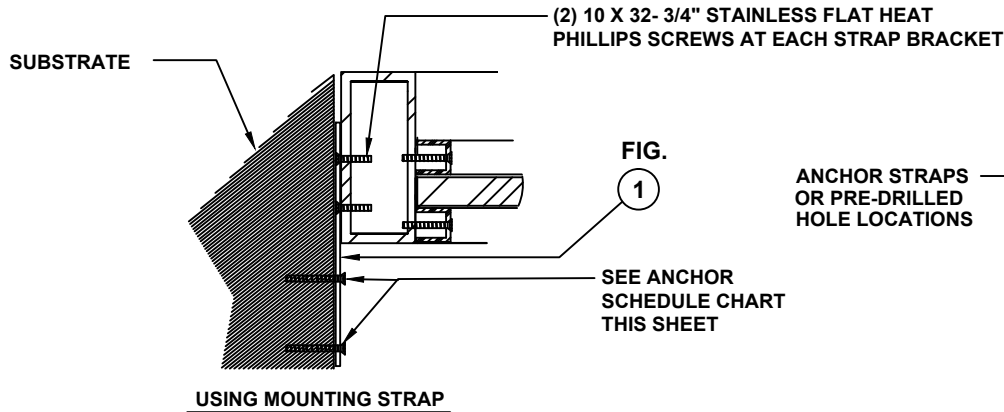


QUIKSERV

BRDW1-4851 W/ QSP-713S INSTALLATION ANCHOR SCHEDULE



INSTALLATION INSTRUCTIONS

FIG. 1 MOUNTING INSTRUCTIONS USING MOUNTING STRAPS

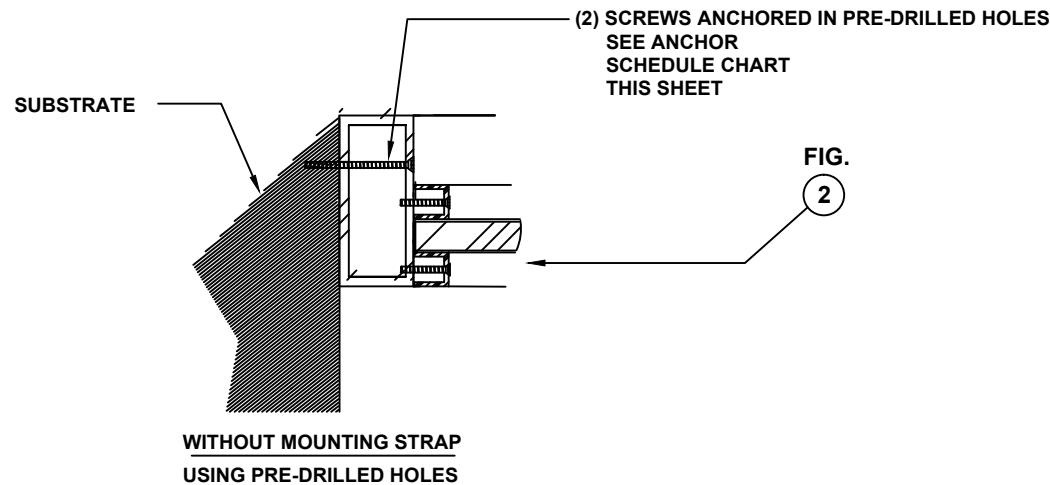
INSTALL SCREWS IN ANCHOR BRACKETS THAT ARE PROVIDED ON EACH SIDE JAMB. USE ANCHOR SCHEDULE TO DETERMINE TYPE AND SIZE OF SCREWS.

FIG. 2 MOUNTING INSTRUCTIONS WITHOUT MOUNTING STRAPS.

INSTALL SCREWS IN THE PRE-DRILLED HOLES LOCATED IN (2) PLACES ON EACH SIDE JAMB. USE ANCHOR SCHEDULE TO DETERMINE TYPE AND SIZE OF SCREWS.

NOTE: DO NOT DRILL OR ANCHOR ANY NEW HOLES IN LOCKSIDE JAMBS OF ANY SELF CLOSING UNITS.

IF USING THE MOUNTING STRAPS FOR INSTALLATION YOU MAY PLUG PRE-DRILLED HOLES BY INSTALLING PLUGS OR SCREWS TO COVER HOLES.



ANCHOR SCHEDULE

SUBSTRATE	ANCHOR	MINIUM PENETRATION INTO SUBSTRATE
STEEL (16 GA. MIN.)	1/4" SHEET METAL SCREWS	MIN. PROTRUSION OF 3 THREADS BEYOND FULL ENGAGEMENT
CONCRETE	1/4" DIAMETER CONCRETE SCREW	1.25" INTO CONCRETE
WOOD BUCK	# 14 WOOD SCREW	1.50" INTO WOOD (REQUIRES DOUBLE 2X BUCK)

QUIKSERV CORP. 11441 Brittmooore Park Dr. Houston TX. 77041		ANCHOR SCHEDULE Aluminum Commercial Pass-Thru Window	
DRAWING DATE: 04/15/2013	SIZE FSCM NO.	DWG. NO. BRDW1-4851	REV 1
DRAWN BY: BRIAN C.	NO SCALE	SHEET: 1 of 1	