

General Notes

Actual Dimension

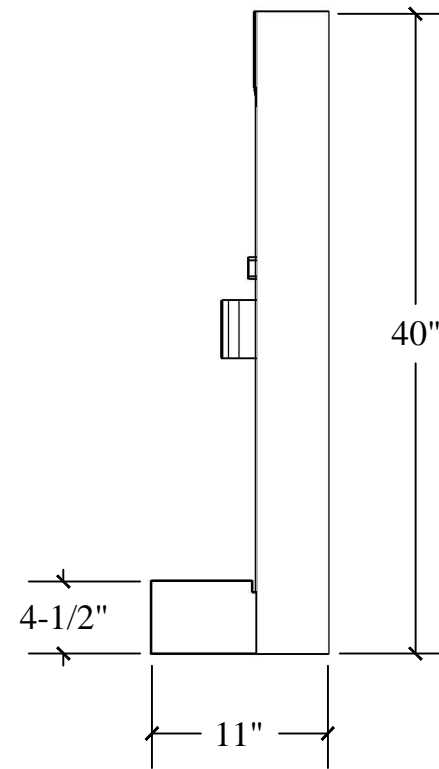
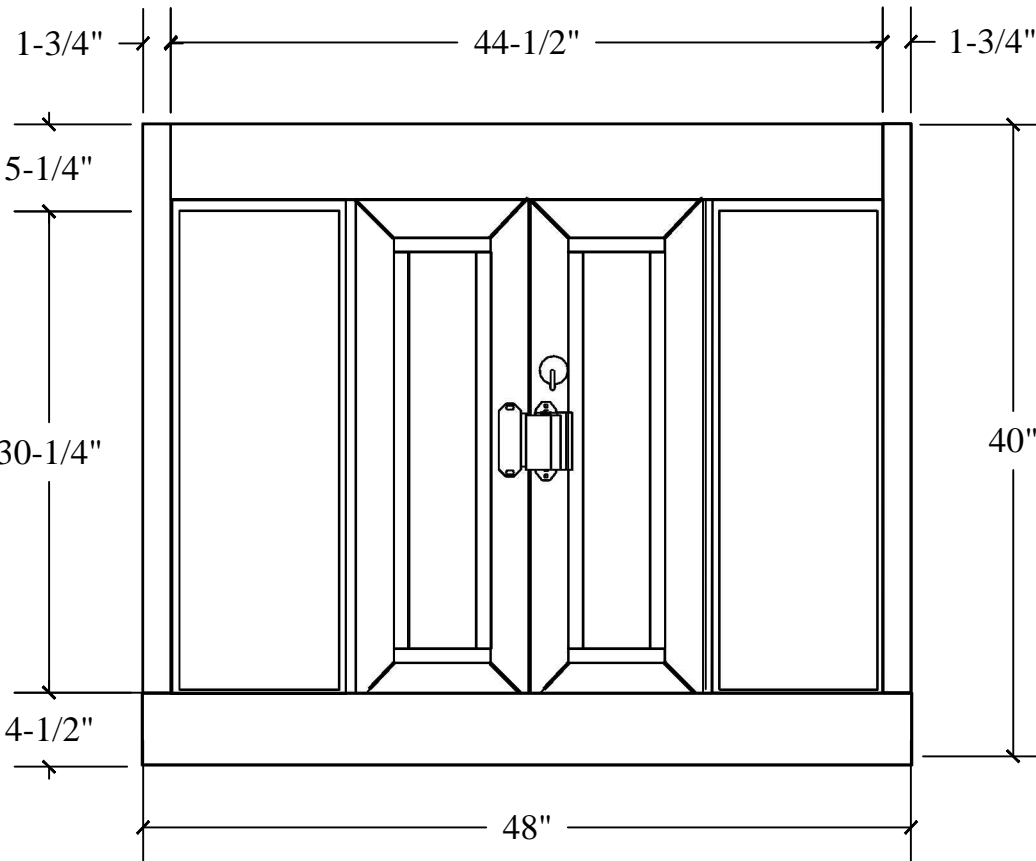
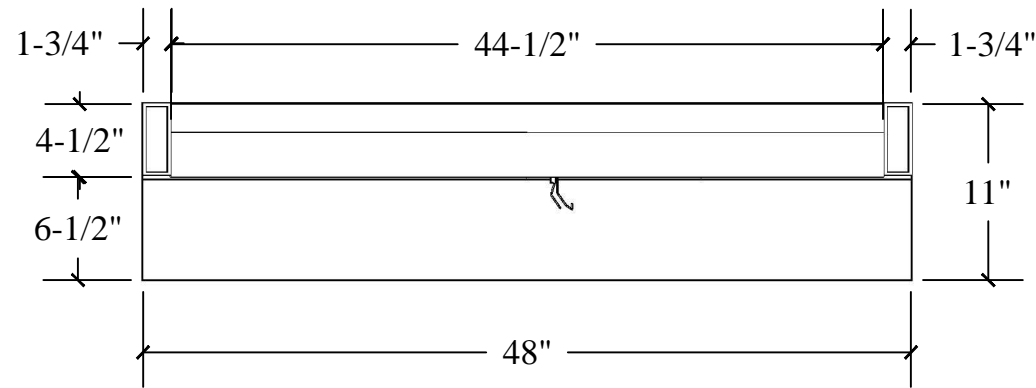
48"(W) x 40"(H)

Service Opening

16-1/2"(W) x 30-1/4"(H)

Rough Opening

48-3/8"(W) x 40-3/8"(H)



QUIKSERV
11441 BRITTMOORE PARK DR.
HOUSTON, TX., 77041

TITLE: **BI-PARTING SELF CLOSING WINDOW**

Drawing Name **BPSC-4840 THREE SIDE VIEW**

DATE 06/22/2016	DRAWN BY RBV	SCALE 1:12	SHEET 1 of 4	SIZE A
--------------------	-----------------	---------------	-----------------	------------------

NOTE: THIS DRAWING EMBODIES A CONFIDENTIAL PROPRIETY DESIGN ORIGINATED AND OWNED BY QUIKSERV CORP., AND IS SUBMITTED UNDER A CONFIDENTIAL RELATIONS ALL PATENT, MANUFACTURING, SALE RIGHTS REGARDING THE SAME ARE RESERVED EXCEPT TO THE EXTENT RIGHTS ARE EXPRESSLY GRANTED TO OTHERS. THE RECIPIENT AGREES BY ACCEPTING HIP. THESE DRAWINGS NOT TO SUPPLY OR DISCLOSE ANY INFORMATION REGARDING THEM TO ANY UNAUTHORIZED PERSON.